



A1

TYPICAL APPLICATIONS Small appliances

FUNCTIONS ■ SPST, momentary or not
■ SPDT, momentary or not

CYCLE No. 50.000

CUT OUT 19x13 mm

AMBIENT TEMPERATURE 125 °C

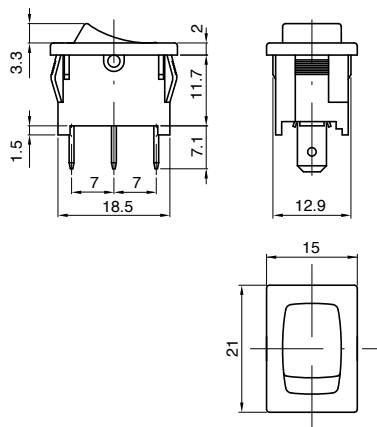
GWT 850 °C

GWT NO FLAME (<2sec) 750 °C on demand



A 1

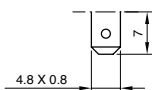
DRAWING



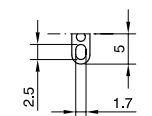
?

TERMINAL

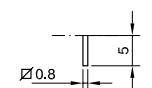
1



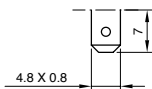
2



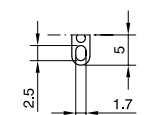
A



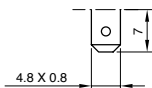
7



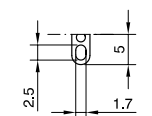
8



9

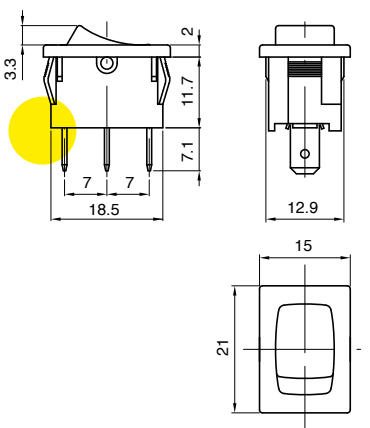


E

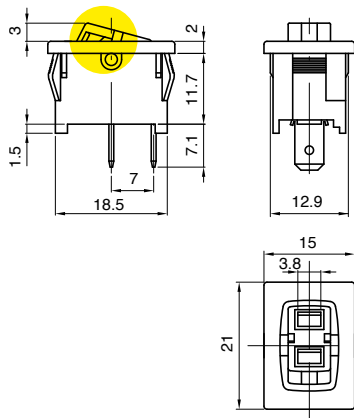


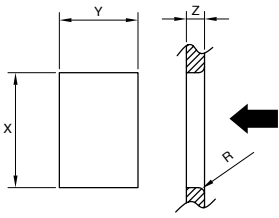
A1PRT

WATERPROOF CAP



CUSTOMIZABLE





Z	Y	X
0,75 ... 1,25	13,0 ±0,1	19,0 ±0,1
1,25 ... 2,0	13,0 ±0,1	19,3 ±0,2
2,0 ... 3,0	13,0 ±0,1	19,6 ±0,2

TERMINAL	FUNCTION	RATING	BODY COLOUR	ROCKER COLOUR	MARKING COLOUR	MARKING
A	1					0 0 0

?	?	?	?	?	?	0 0 0
---	---	---	---	---	---	-------

FUNCTION RATING BODY COLOUR ROCKER COLOUR MARKING COLOUR MARKING

1

3 Terminal 1 - 2 - 9 - E

4 Terminal 1 - 2 - 7 - 8

A Terminal 1 - 2 - 7 - 8

B Terminal 1 - 2

2

Terminal 1 - 2
Function 4 - A - B

6 (2) A / 250 VAC
3 (1) A / 250 VAC - 5E4
T125/55 °C - T125 °C
EN 61058

6 A - 125 / 250 VAC
1/10 HP - 125 VAC
1/6 HP - 250 VAC
T105 °C
UL 1054
CSA C22.2

3

Terminal 1 - 2 - 7 - 8 - 9 - A - E
Function 1 - 3

10 (4) A / 250 VAC
6 (6) A / 250 VAC
6 (4) A / 250 VAC - 5E4
T125/55 °C - T125 °C
EN 61058

10 A - 125 / 250 VAC
1/3 HP - 125 VAC
1/2 HP - 250 VAC
T105 °C
UL 1054
CSA C22.2

7

Terminal 7 - 8
Function 4 - A

10 (2) A / 250 VAC
6 (1) A / 250 VAC - 5E4
T125/55 °C - T125 °C
EN 61058

10 A - 125 / 250 VAC
1/10 HP - 125 VAC
1/6 HP - 250 VAC
T105 °C
UL 1054
CSA C22.2

B

Terminal 1 - 2 - 9 - E
Function 1 - 3

13 (4) A / 250 VAC
6 (6) A / 250 VAC - 5E4
T125/55 °C - T125 °C
EN 61058

15 A / 125 VAC
10 A / 250 VAC
1/3 HP - 125 VAC
1/2 HP - 250 VAC
T105 °C
UL 1054
CSA C22.2

1 black

2 white

9 red

X custom

1 black

2 white

9 red

X custom

0 none

1 black

2 white

5 grey

7 light blue

8 red

9 orange

X custom

0

1

2

3

4

5

6

8

C

F

G

Z

R

X



A1

TYPICAL APPLICATIONS	Small appliances
FUNCTIONS	<ul style="list-style-type: none"> ■ SPST, illuminated or not ■ SPDT ■ SPCO
CYCLE No.	50.000
CUT OUT	19x13 mm
AMBIENT TEMPERATURE	125 °C
GWT	850 °C
GWT NO FLAME (<2sec)	750 °C on demand



A 1

DRAWING

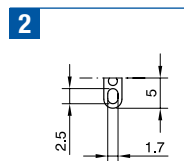
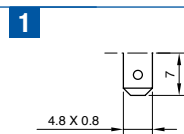
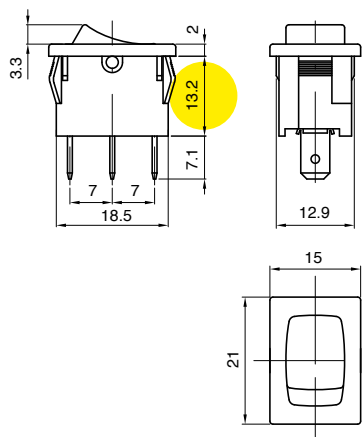
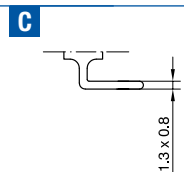
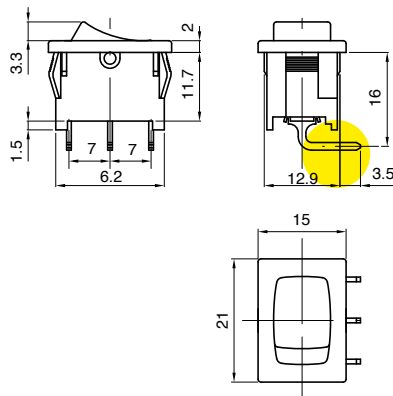
?

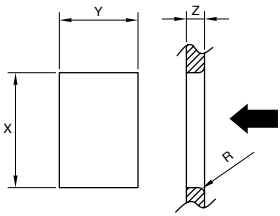
TERMINAL



A1PRT

WATERPROOF CAP





Z	Y	X
0,75 ... 1,25	13,0 ±0,1	19,0 ±0,1
1,25 ... 2,0	13,0 ±0,1	19,3 ±0,2
2,0 ... 3,0	13,0 ±0,1	19,6 ±0,2

TERMINAL	FUNCTION	RATING	BODY COLOUR	ROCKER COLOUR	MARKING COLOUR	MARKING
A	1					0 0 0

?	?	?	?	?	?	0 0 0
---	---	---	---	---	---	-------

FUNCTION RATING BODY COLOUR ROCKER COLOUR MARKING COLOUR MARKING

1 Terminal C

1a

1

3 Terminal C

1a

1

1b

3

Terminal 1 - 2 - C
Function 1 - 3 - 6
10 (4) A / 250 VAC
6 (6) A / 250 VAC
6 (4) A / 250 VAC - 5E4
T125/55 °C - T125 °C
EN 61058

10 A - 125 / 250 VAC
 1/3 HP - 125 VAC
 1/2 HP - 250 VAC
 T105 °C
 UL 1054
 CSA C22.2

6

Terminal 1 - 2
Function 5
10 (2) A / 250 VAC
6 (1) A / 250 VAC - 5E4
T125/55 °C - T125 °C
µ disconnection
EN 61058

6 A - 125 / 250 VAC
 1/8 HP - 125 VAC
 1/6 HP - 250 VAC
 T105 °C
 UL 1054
 CSA C22.2

B

Terminal 1
Function 6
13 (4) A / 250 VAC
6 (6) A / 250 VAC - 5E4
T125/55 °C - T125 °C
EN 61058

15 A / 125 VAC
 10 A / 250 VAC
 1/3 HP - 125 VAC
 1/2 HP - 250 VAC
 T105 °C
 UL 1054
 CSA C22.2

Terminal 1 - 2
Function 5
13 (4) A / 250 VAC
6 (6) A / 250 VAC - 5E4
T125/55 °C - T125 °C
µ disconnection
EN 61058

15 A / 125 VAC
 10 A / 250 VAC
 1/3 HP - 125 VAC
 1/2 HP - 250 VAC
 T105 °C
 UL 1054
 CSA C22.2

5 Terminal 1 - 2

1a

1

1b

6 Terminal 1 - 2

1a

1

1b

1 black

2 white

9 red

X custom

1 black

2 white

9 red

ILLUMINATED

G red

H orange

E green

L white

X custom

0 none

1 black

2 white

5 grey

7 light blue

8 red

9 orange

X custom

0

1

2

3

4

5

6

8

9

C

F

G

Z

S

R

X