



Elektrotechnik Karl-Heinz Mauz GmbH

LSM-S2515K (Artikel-Nr. 130005)

EKULIT

SPECIFICATIONS

Parameter	Conditions/Description	Values	Units
Rated Input Power		0.5	W
Max Input Power	IEC-60268-5, filter 60s on/120s off, 10 cycles at room temp	0.8	W
Impedance	at 2.0 kHz	8±15%	Ω
Sound Pressure Level (S.P.L.)	at 0.8K 1.0K 1.2K 1.5KHz in0.1W/0.1M average (0dB SPL=20μPa)	90±3	dB
	at 0.8K 1.0K 1.2K 1.5KHz in1.0W/1.0M average (0dB SPL=20μPa)	75±3	dB
Resonant Frequency (Fo)	at 1.0 V	1110±20%	Hz
Frequency Range	Output S.P.L. -10dB	Fo~20K	Hz
Distortion	at 1K Hz, input 1.0W,	< 5%	-
Magnet	NdFeB	Φ7.8*1.5	mm
Buzz, Rattle, etc.	must be normal at sine wave between Fo ~ 5K Hz	2.83	V
Polarity	cone will move forward with positive dc current to "+" terminal		
Weight			g
Operating Temperature		-20~+60	°C
Storage Temperature	25~75%. Accordig to standard GB/T9396-1996	15~+35	°C

Adresse: **Felix-Wankel-Str. 35 • 73760 Ostfildern/Nellingen**

Tel: **+49-711/3414023**

Fax: **+49-711/3414024**

E-mail: **info@ekulit.de** Web site: www.EKULIT.de

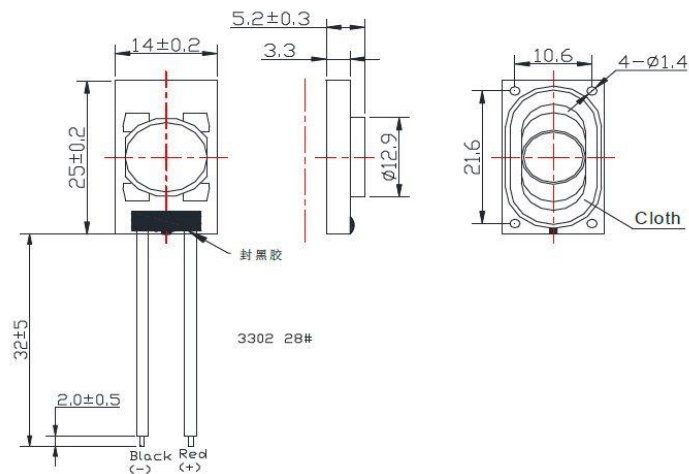
LSM-S2515K (Artikel-Nr. 130005)

EKULIT

MECHANICAL DRAWING

Units: mm

Tolerance: $\pm 0.5\text{mm}$



CONSTRUCTION DETAIL

PART NO.	PART NAME	Q'TY	MATERIAL	REMARK
2	Diaphragm	1	Colth	
3	VOICE COIL	1	Paper Cu	
4	Plate	1	SPCC	
5	Magnet	1	NdFeB	
6	PCB Terminal	1	FR4	
7	Frame	1	PBT	

Elektrotechnik Karl-Heinz Mauz GmbH

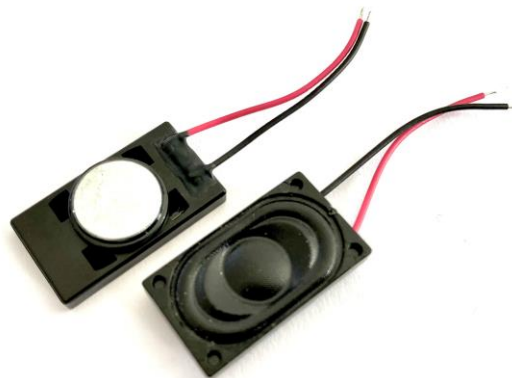
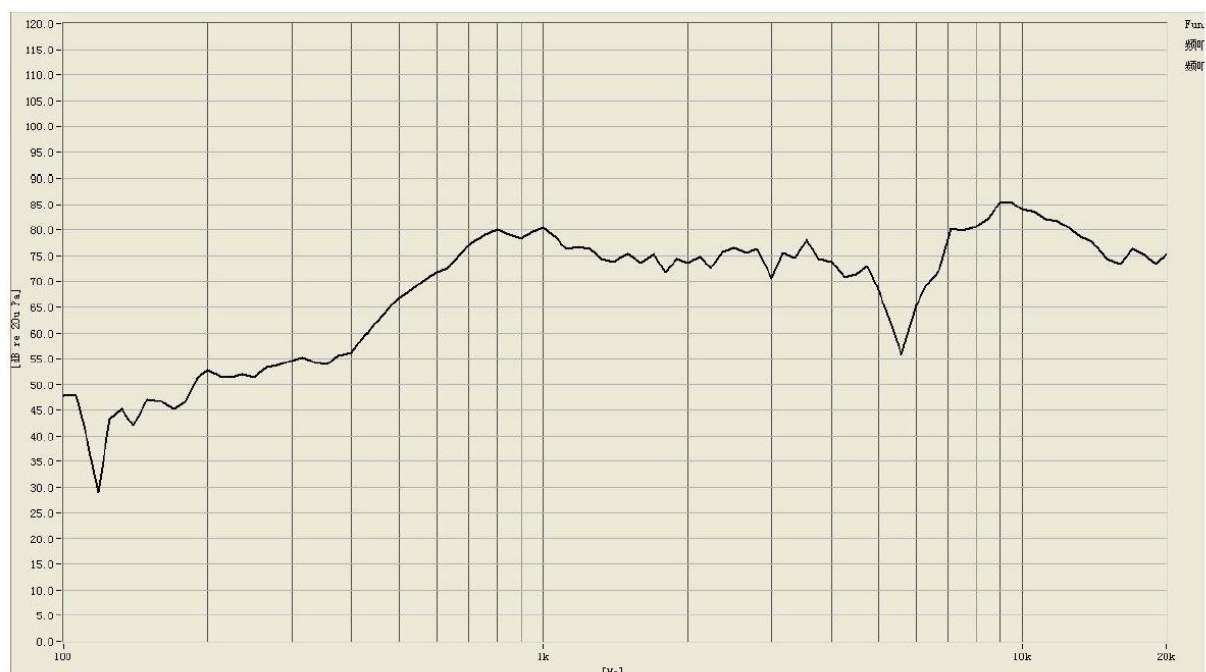
LSM-S2515K (Artikel-Nr. 130005)

EKULIT

RESPONSE CURVES

Frequency Response Curve

Test condition: 1.0W/1.0M,



Adresse: Felix-Wankel-Str. 35 • 73760 Ostfildern/Nellingen

Tel: +49-711/3414023

Fax: +49-711/3414024

E-mail: info@ekulit.de Web site: www.EKULIT.de



Elektrotechnik Karl-Heinz Mauz GmbH

LSM-S2515K (Artikel-Nr. 130005)

EKULIT

RELIABILITY TEST

1	Reliability Test Performance	After any following test, parts should conform to original performance within ± 3 dB tested with Rated Power, after 6 hours of recovery period.
2	High Temperature Test	96 hours at $+30^{\circ}\text{C} \pm 3^{\circ}\text{C}$
3	Low Temperature Test	96 hours at $-20^{\circ}\text{C} \pm 3^{\circ}\text{C}$
4	Humidity Test	$+40^{\circ}\text{C} \pm 2^{\circ}\text{C}$ Relative Humidity(RH)90~95% 96 Hours
5	Temp Cycle	<p>The part shall be subjected 5 cycles. One cycle shall be 6 hours and consist of</p> <p>The diagram illustrates a temperature cycle over a 6-hour period. It starts at $+60^{\circ}\text{C}$ for 2 hours, then ramps down to $+25^{\circ}\text{C}$ in 0.5 hours. It remains at $+25^{\circ}\text{C}$ for 1 hour, then ramps down to $+20^{\circ}\text{C}$ in 0.5 hours, and finally remains at $+20^{\circ}\text{C}$ for 2 hours. The total duration of one cycle is 6 hours.</p>
6	Vibration Test	Frequency: 10~55~10Hz Oct/min Amplitude: 1.5mm Duration: 2 hours each of 3 perpendicular directions
7	Drop Test	Drop the speaker contained in normal box onto the surface of 40mm thick board 10 times from the height of 75cm
8	Operation Life Test	Must perform normal with program White-Noise source at Rated Power for 96 Hours
9	Termination Strength	Apply 3.0N(0.306kg) to each terminal in horizontal direction for 30 seconds; Apply 2.0N(0.204kg) to each terminal in vertical direction for 30 seconds;

Adresse: Felix-Wankel-Str. 35 • 73760 Ostfildern/Nellingen

Tel: +49-711/3414023

Fax: +49-711/3414024

E-mail: info@ekulit.de Web site: www.EKULIT.de

LSM-S2515K (Artikel-Nr. 130005)

EKULIT

MEASURING METHOD

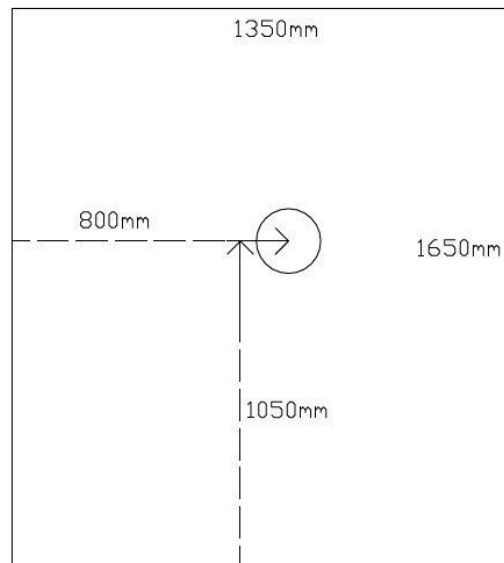


Fig. 1 Block Diagram for Measurement Method

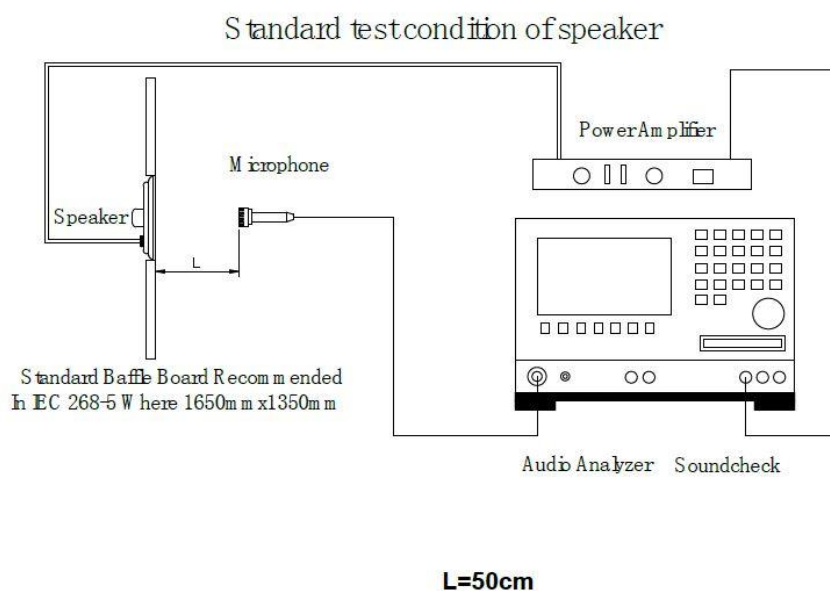


Fig. 2 Speaker Test Condition



Elektrotechnik Karl-Heinz Mauz GmbH

LSM-S2515K (Artikel-Nr. 130005)

EKULIT

PACKAGING

units: MM

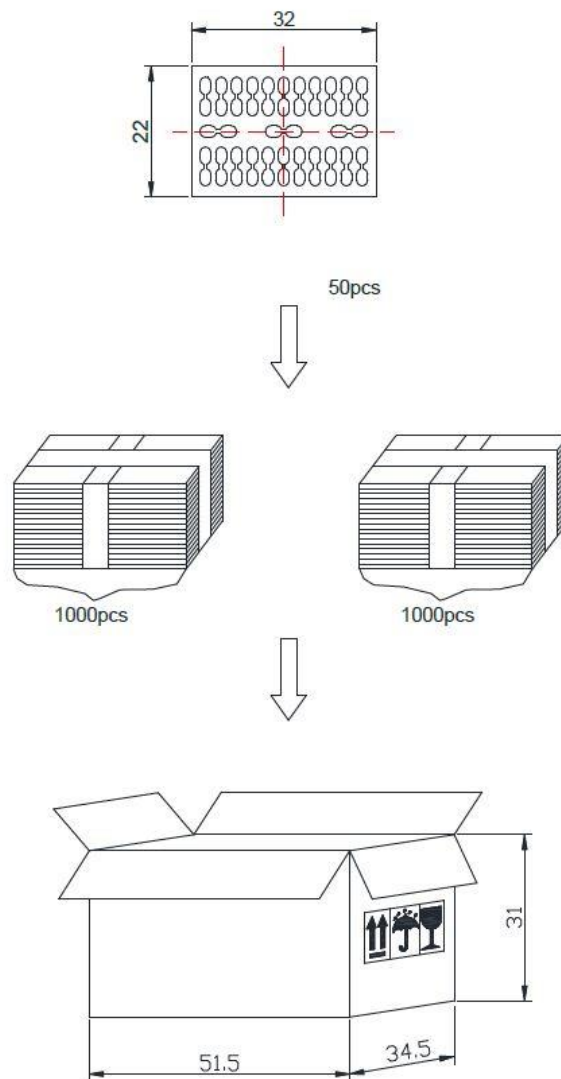
Remark:

50 pcs per tray

20 trays for unit, 2 units per carton

Total:2000 pcs per box

Size:51.5×34.5×31cm



Adresse: **Felix-Wankel-Str. 35 • 73760 Ostfildern/Nellingen**

Tel: **+49-711/3414023**

Fax: **+49-711/3414024**

E-mail: **info@ekulit.de** Web site: **www.EKULIT.de**