

# YSV36-2 SERIES

## 36W



### Features

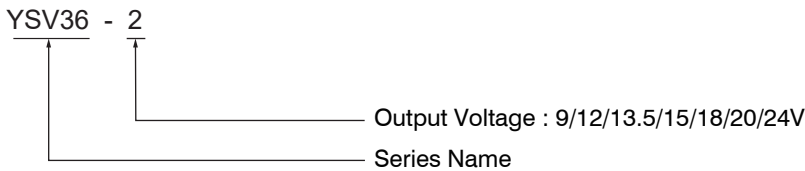
- Energy efficiency level VI
- Class II Power Supply
- 3 Years Warranty
- Universal AC input/Full range
- No load power consumption < 0.1W
- Protections: Short Circuit /Over Load
- -20~+60°C wide range working temperature

### Applications

- Digital Equipment
- Industrial Equipments
- Consumer Electronic Devices
- Telecommunication Devices

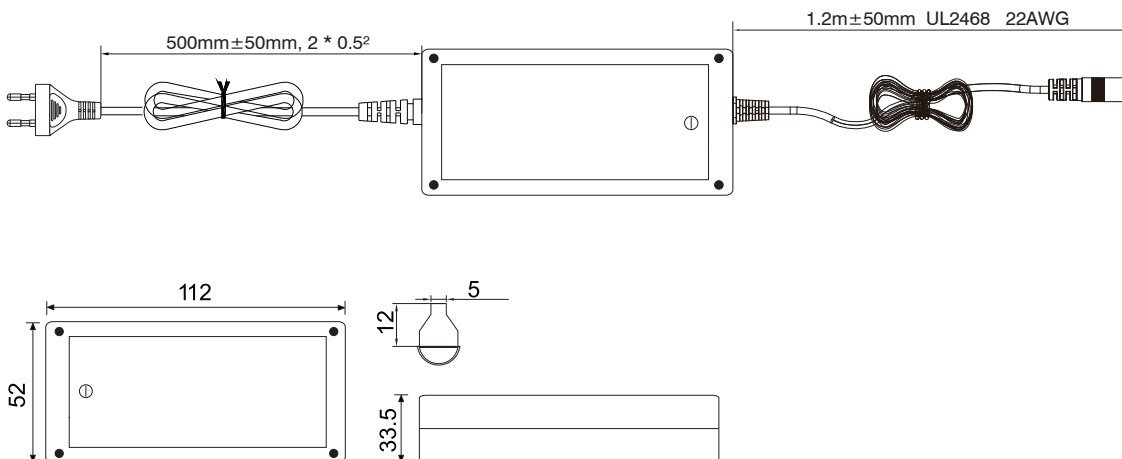


### Model Description



### Dimensions and installation

(Unit: mm , tolerance: ±1mm)



## Specification

Model	Order P/N	YSV36-2						
Output	DC Voltage	9V	12V	13.5V	15V	18V	20V	24V
	Rated Current	2A	2A	2A	2A	2A	1.5A	1.5A
	Rated Power	18W	24W	27W	30W	36W	30W	36W
	Ripple & Noise(max.)	75mVp-p	90mVp-p	90mVp-p	90mVp-p	120mVp-p	200mVp-p	240mVp-p
	Voltage Tolerance	±1%	±1%	±1%	±1%	±1%	±1%	±1%
	Line Regulation	±1%	±1%	±1%	±1%	±1%	±1%	±1%
	Load Regulation	±1%	±1%	±1%	±1%	±1%	±1%	±1%
	Setup,Rise,Hold up Time	3.0s,30ms,80ms/230VAC(at full load)						
Input	Rated Voltage Range	100-240VAC						
	Voltage Range	90-264VAC						
	Frequency Range	50/60Hz						
	AC Current	1.0A/230VAC						
	Inrush Current	Cold Start 65A/200us at 230VAC 50Hz						
	Leakage Current	<0.25mA/230VAC						
	Efficiency	85%	87%	87%	88.5%	89%	89.5%	90%
	No Load Power Consumption	<0.1W						
Protection	Over Load	105~150% Hiccup mode, recovers automatically after fault condition is removed.						
	Short Circuit	Shut down o/p voltage, re-power on to recover.						
Ambient	Working TEMP.	-20 ~ +60 C (Please refer to "Derating Curve"section)						
	Working Humidity	20 ~ 95%RH Non-condensing						
	Storage TEMP. Humidity	-40 ~ +85 C, 10 ~ 95%RH Non-condensing						
	TEMP. Coefficient	±0.03%/(0 ~ 40 C)						
	Vibration	10 ~ 500Hz, 5G 12min./1cycle, period for 72min. each along X, Y, Z axes						
Safety	Safety Standards	EN62368-1						
	Withstand Voltage	I/P-O/P:3KVAC						
	Isolation Resistance	I/P-O/P:100M Ohms / 500VDC / 25 C / 70% RH						
EMC	EMC Emission	Parameter	Standard				Test Level	
		Conducted	EN55032(CISPR32)				CLASS B	
		Radiated	EN55032(CISPR32)				CLASS B	
		Harmonic Current	EN61000-3-2				CLASS B	
		Voltage flicker	EN61000-3-3				CLASS B	
	EMC Immunity	Parameter	Standard				Test Level	
		ESD	EN61000-4-2				Level 3, 8KV air, criteria A	
		Radiated Susceptibility	EN61000-4-3				Level 3, criteria A	
		EFT/Burest	EN61000-4-4				Level 3, criteria A	
		Surge	EN61000-4-5				Level 4, 2KV/L-N, criteria A	
		Conducted	EN61000-4-6				Level 3, criteria A	
		Magnetic Field	EN61000-4-8				Level 4, criteria A	
		Voltage Dips and interruptions	EN61000-4-11				> 95% dip 0.5 periods, 30% dip 25 periods, >95% interruptions 250 periods	
Others	Packing	267g/pcs; 42 x 35 x 26 cm; 40pcs/carton						
	Dimension (LxWxH)	112 x 52 x 33.5 mm						
	Plug and Cable	See page 3; Other type available by customer requested						
	MTBF	100Khrs min. MIL-HDBK-217F(25 C)						
Note	<ol style="list-style-type: none"> <li>1. Tolerance: includes set up tolerance, line regulation and load regulation.</li> <li>2. Ripple &amp; noise are measured at 20MHz of bandwidth by using a 12" twisted pair-wire terminated with a 0.1uf &amp; 47uf parallel capacitor.</li> <li>3. Line regulation is measured from low line to high line at rated load.</li> <li>4. Load regulation is measured from 0% to 100% rated load.</li> <li>5. All parameters NOT specially mentioned are measured at nominal voltage input, rated load and 25 C of ambient temperature.</li> <li>6. De-rating may be needed under low input voltages. Please refer to "Static Characteristic" sections for details.</li> <li>7. The power supply is considered as a component that will be operated in combination with final equipment. Since EMC performance will be affected by the complete installation, the final equipment manufacturers must re-qualify EMC Directive on the complete installation again.</li> </ol>							

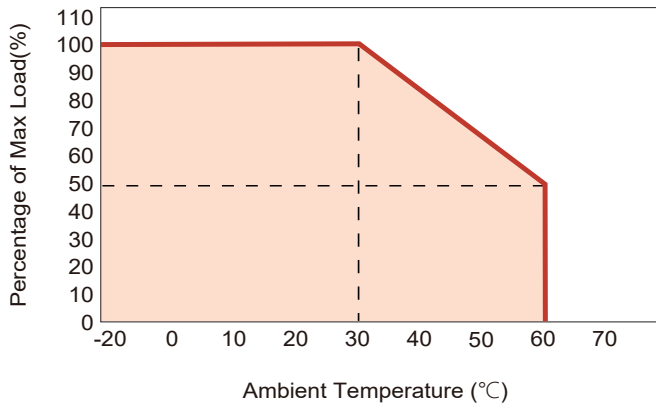
File last modification time: 2025-12-30

# YSV36-2 SERIES

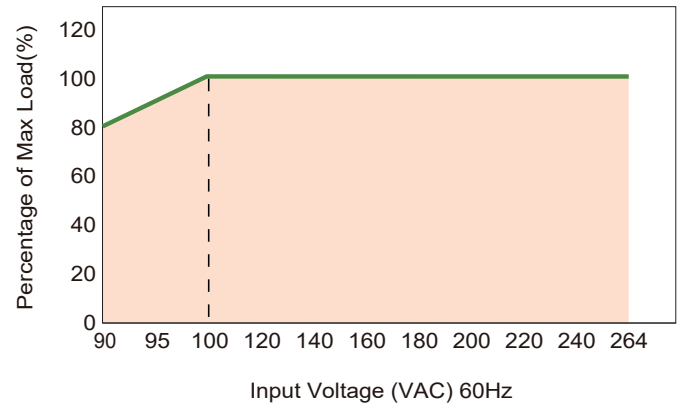
## 36W

### Feature Curves

1. Derating Curve



2. Static Characteristics



### DC Output Plug

