

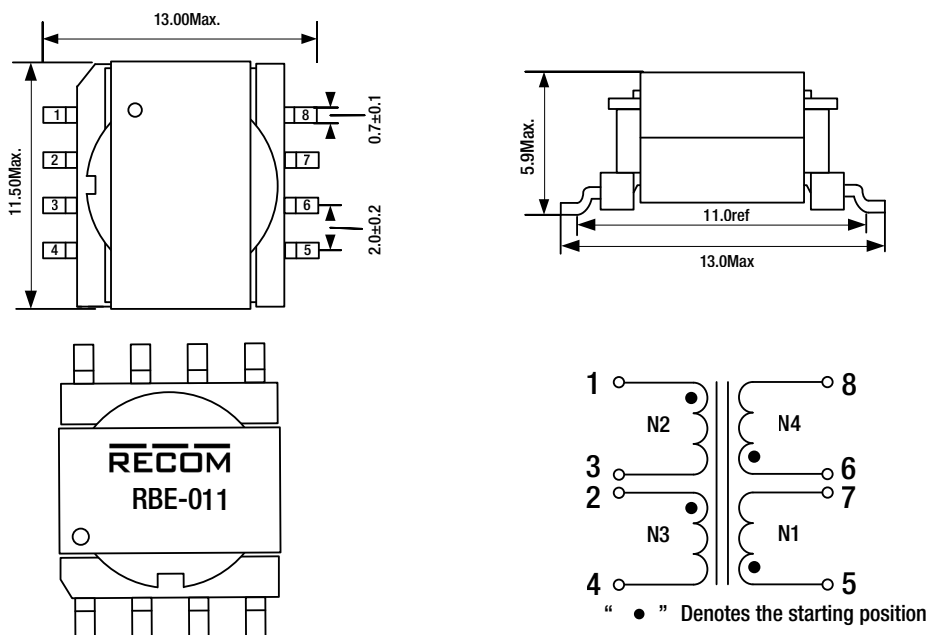
RBE-011 ◊ Flyback Transformer

6W ◊ SMD ◊ 1.5kVDC Isolation

FEATURES

- Small-sized isolation transformer
- SMD surface mount installation
- Isolation voltage: 1500VDC/1minute
- Operating temperature: -40~125°C
- Maximum product dimensions: 13.0mm × 11.5mm × 5.9mm

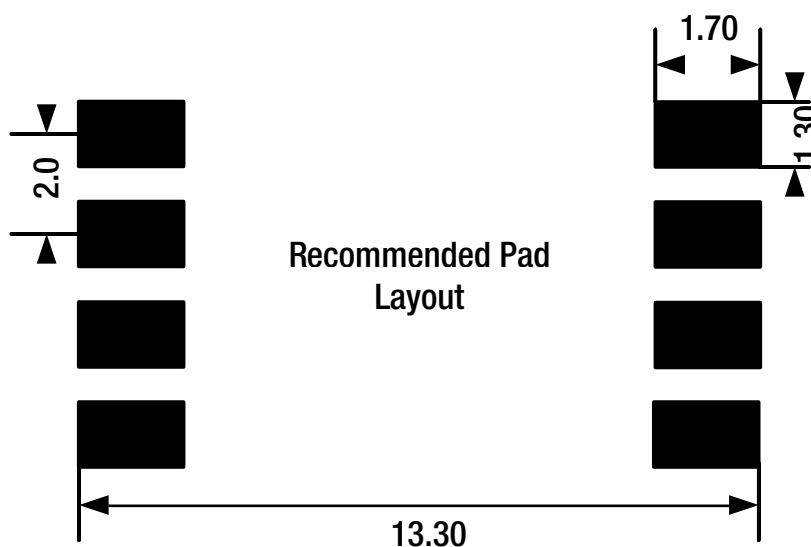
DIMENSIONS AND SCHEMATIC DIAGRAM [mm]



PRODUCT MARKING

Pin1	○
Marking	Company Logo
	Product Model

RECOMMENDED LAND PATTERN [mm]



RBE-011 ◊ Flyback Transformer

6W ◊ SMD ◊ 1.5kVDC Isolation



BASIC CHARACTERISTIC (measured @ TAMB= 25°C, nominal Input and full load after warm-up time unless otherwise stated)

Properties		Test Conditions	Value	Unit
Inductance	L	1-3	15 typ.	μH
Turns Ratio	n	N1:N2:N3:N4	1:1.67:1:1	
DC Resistance 1	R _{DC1}	1-3, N2	0.1 max.	Ω
DC Resistance 2	R _{DC2}	2-4, N3	0.4 max.	Ω
DC Resistance 3	R _{DC3}	5-7, N1	0.07 max.	Ω
DC Resistance 4	R _{DC4}	6-8, N4	0.09 max.	Ω
Interwinding Capacitance	C _{ww}	1-8	30 max.	pF
Leakage Inductance	L _s	1-3	0.5 max.	μH
Isolation Test Voltage	V _T	N2,3:N1,4/60s/1mA	1500	VDC

GENERAL INFORMATION

Operating Temperature (including temperature rise)	-40~125°C
Storage Temperature	-40~125°C
Storage Conditions (in original packaging)	<40°C/<75%RH
Moisture Sensitivity Level (MSL)	1
Insulation Grade	Functional

MATERIAL CERTIFICATION

ITEM		UL NO
1	Bobbin	E41429
2	Wire	E253843
3	Tape	E165111
4	Glue	E218090

ENVIRONMENTAL COMPLIANCE

RoHS Approval	Compliant [2011/65/EU&2015/863]
REACH Approval	Conform or declared [(EC)1907/2006]
Halogen Free	Conform [EN 14582:2016]

TYPICAL APPLICATION

Parameter		Value	Unit
Input Voltage	V _{IN}	9-36	VDC
Output Voltage 1	V _{OUT1}	5	VDC
Output Current 1	I _{OUT1}	1200	mA
Switching Frequency	f _{switch}	330	kHz

Input: N2

Output 1: N1/N4

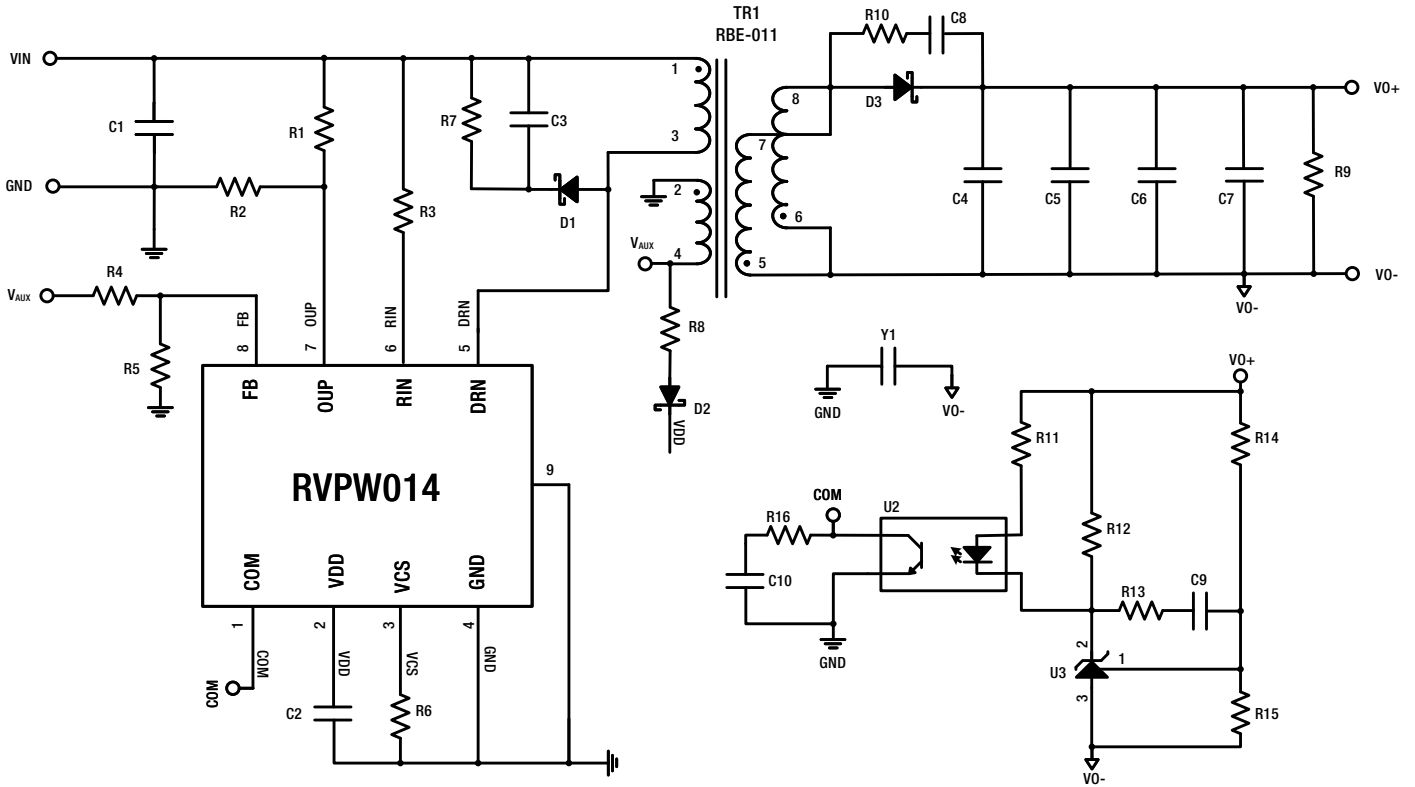
Auxiliary: N3

Table and graph show a typical application. Values may vary by application.

RBE-011 ⬠ Flyback Transformer

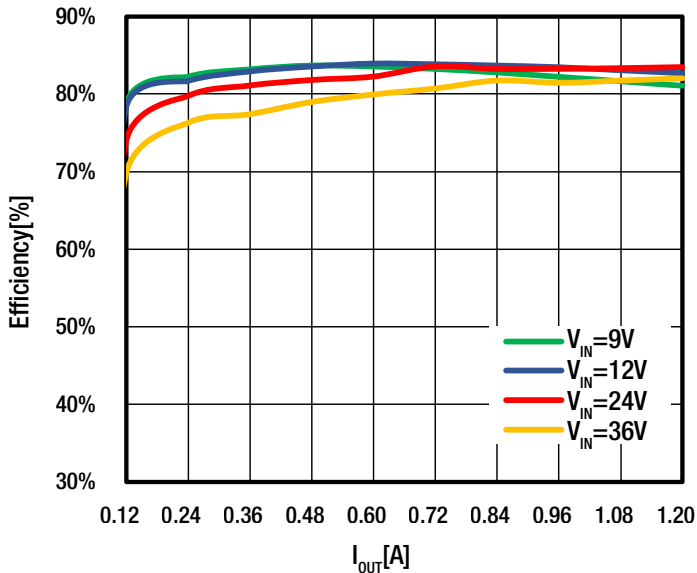
6W ⬠ SMD ⬠ 1.5kVDC Isolation

REFERENCE CIRCUIT DIAGRAM

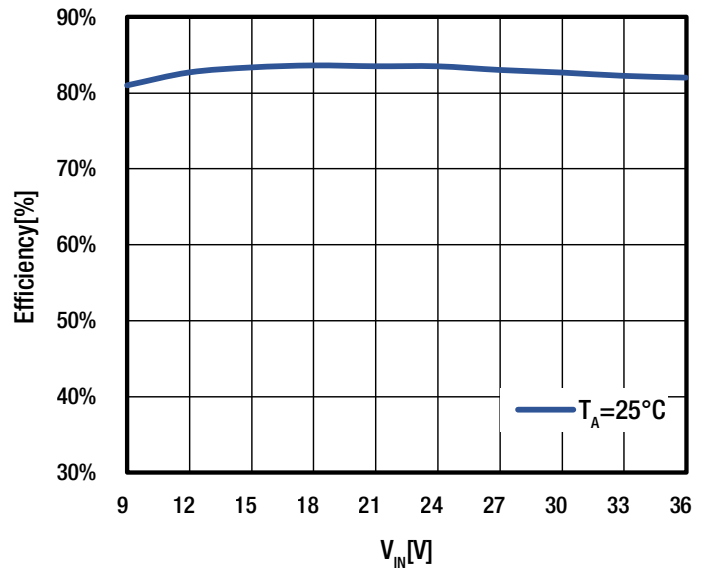


Typical Curve:

Typical Efficiency vs. Output Current



Typical Efficiency vs. Input Voltage

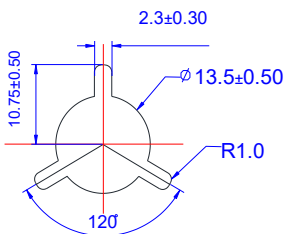
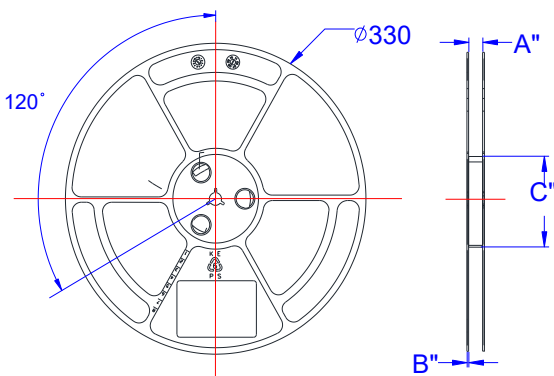
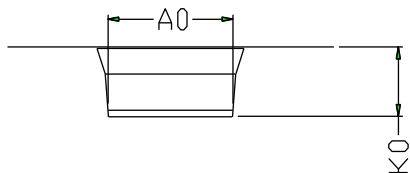
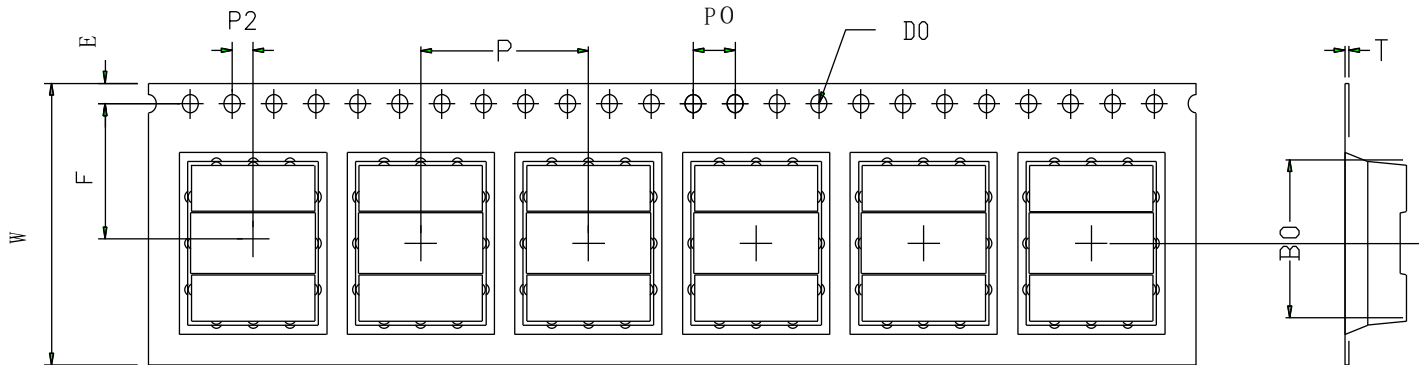


RBE-011 ◊ Flyback Transformer

6W ◊ SMD ◊ 1.5kVDC Isolation

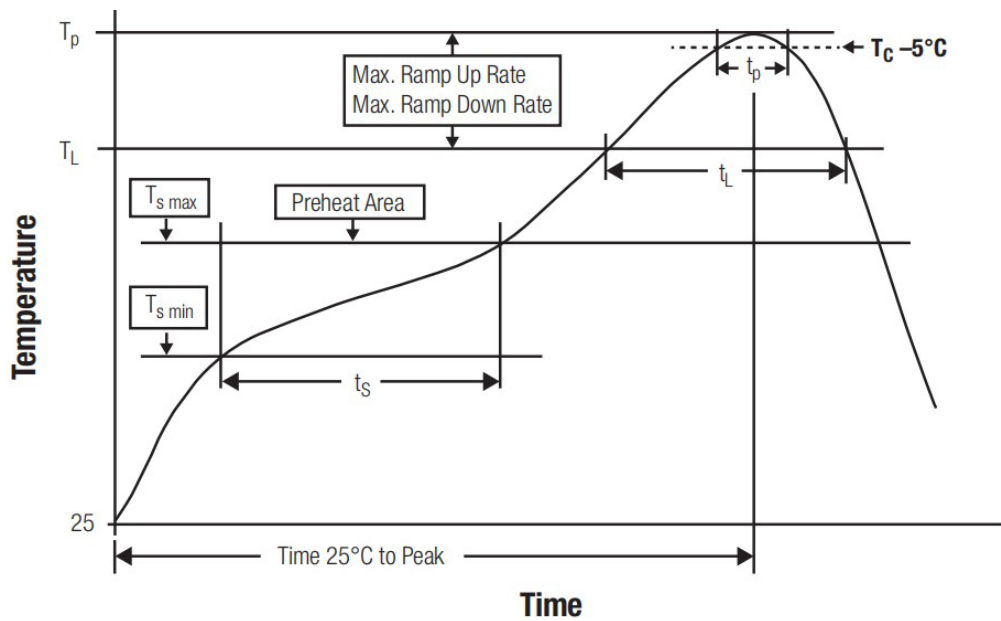
PACKAGING SPECIFICATION - TAPE & REEL [mm]

ITRM	W	A0	B0	K0	K1	P	F	E	D0	D1	P0	P2	T
DIM	24.00	11.50	13.10	6.10	--	16.00	11.50	1.75	1.50	--	4.00	2.00	0.40
TOLE	+0.30 -0.30	+0.15 -0.15	+0.15 -0.15	+0.10 -0.10	+0.10 -0.10	+0.10 -0.10	+0.10 -0.10	+0.10 -0.10	+0.10 -0.10	+0.10 -0.00	+0.10 -0.10	+0.15 -0.15	+0.05 -0.05



		✓			
SPEC	16	24	32	44	56
DIM A" ± 0.5	16.5	24.5	32.5	44.5	56.5
DIM B" ± 0.3	2.10	2.10	2.10	2.10	2.10
DIM C" ± 0.5	100	100	100	100	100

REFLOW SOLDERING



Profile Feature		Value
Preheat Temperature Min	$T_{s\ min}$	150°C
Preheat Temperature Max	$T_{s\ max}$	200°C
Preheat Time t_s from $T_{s\ min}$ to $T_{s\ max}$	t_s	100 seconds
Ramp-up Rate (T_L to T_p)		3°C/second max.
Liquidous Temperature	T_L	217°C
Time t_L maintained above T_L	t_L	100 seconds
Peak package body temperature	T_p	$T_p \leq T_c$, see Table below
Time within 5°C of actual peak temperature	t_p	30 seconds
Ramp-down Rate (T_p to T_L)		6°C/second max.
Time 25°C to peak temperature		5 minutes max.
Reflow soldering temperature		Peak Temperature $\leq 245^\circ\text{C}$ (10s)
Reflow Soldering Cycles		Recommended ≤ 2 Cycles

Refer to IPC/JEDEC J-STD-020F

PACKAGE CLASSIFICATION REFLOW TEMPERATURE (T_c)

Properties	Volume $\text{mm}^3 < 350$	Volume $\text{mm}^3 350-2000$	Volume $\text{mm}^3 > 2000$
PB-Free Assembly Package Thickness < 1.6 mm	260°C	260°C	260°C
PB-Free Assembly Package Thickness 1.6 mm - 2.5 mm	260°C	250°C	245°C
PB-Free Assembly Package Thickness > 2.5 mm	250°C	245°C	245°C

Refer to IPC/JEDEC J-STD-020F

RBE-011 ◊ Flyback Transformer

6W ◊ SMD ◊ 1.5kVDC Isolation



ORDER INFORMATION

Order Code	Marking Code*	Weight (g/pcs)	Package Type	Quantity (pcs/Reel)
RBE-011-UB5S-R	RBE-011	1.4g	Tape & Reel	500pcs

*Marking Code

RBE-011 — Product Code

The product information and specifications may be subject to changes even without prior written notice. The product has been designed for various applications; its suitability lies in the responsibility of each customer. The products are not authorized for use in safety-critical applications without RECOM's explicit written consent. A safety-critical application is an application where a failure may reasonably be expected to endanger or cause loss of life, inflict bodily harm or damage property. The applicant shall indemnify and hold harmless RECOM, its affiliated companies and its representatives against any damage claims in connection with the unauthorized use of RECOM products in such safety-critical applications.