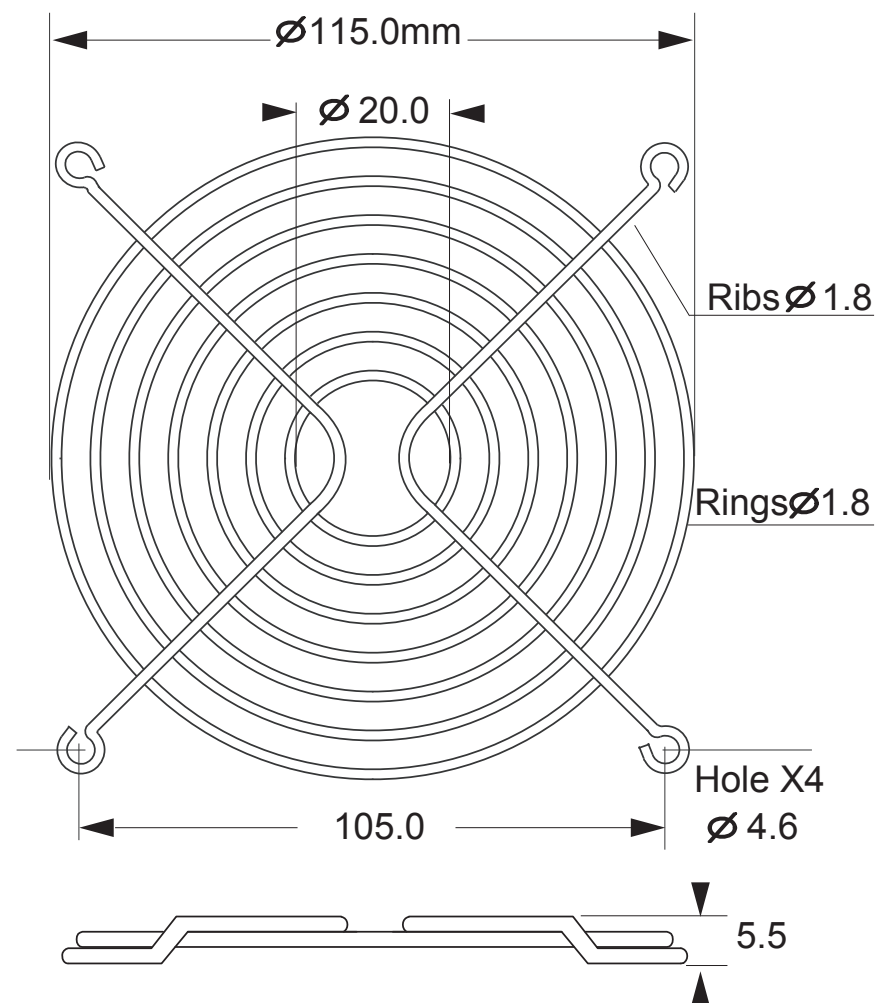


### Specifications:

1. General tolerance unless noted is  $\pm 0.5\text{mm}$
2. Hole to Hole: 105.0mm
3. Holes dia.:  $\varnothing 4.6\text{mm} \pm 0.2\text{mm}$
4. Outer ring dia.:  $\varnothing 115.0\text{mm}$
5. Ring dia.:  $\varnothing 1.8\text{mm} \pm 0.1\text{mm}$
6. Rib dia.:  $\varnothing 1.8\text{mm} \pm 0.1\text{mm}$
7. Height: 5.5mm
8. Stagger welds: 7 rings

### Material:

- Rings & Ribs Steel wire BL1-195(C1008)
- Surface Treating  
Nickled-chrome electro plating surface, bright color  
(Black color & other platings are available on request)
- Comply with the limits as set by RoHS / SVHC
- Weld Joins Contact Strength  
Spot welding Points to withstand min. 88lbs(40Kgs.)
- Weight: 36.0Gm



Model No:

**RM-12EA**

( Wire Form, Metal Fan Guard For 120mm (4.7") Fans )