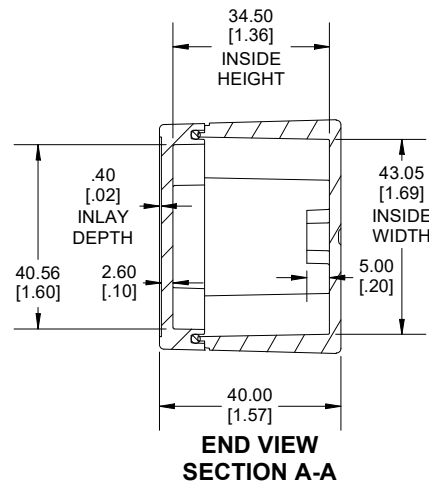
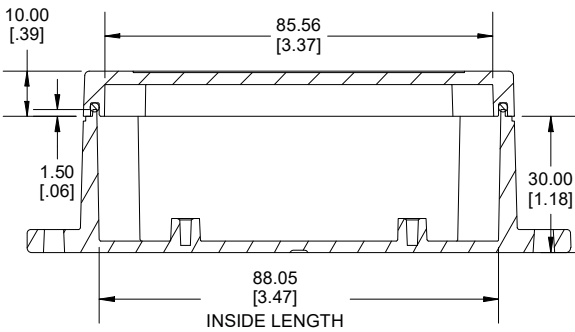
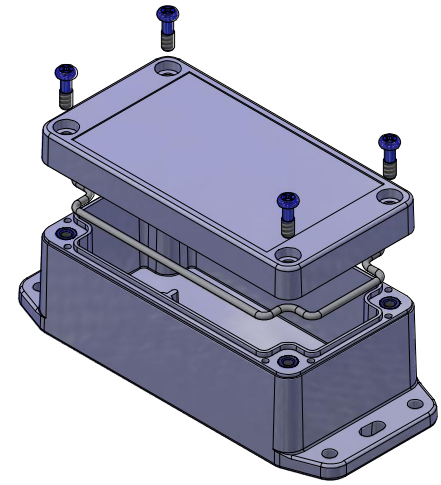


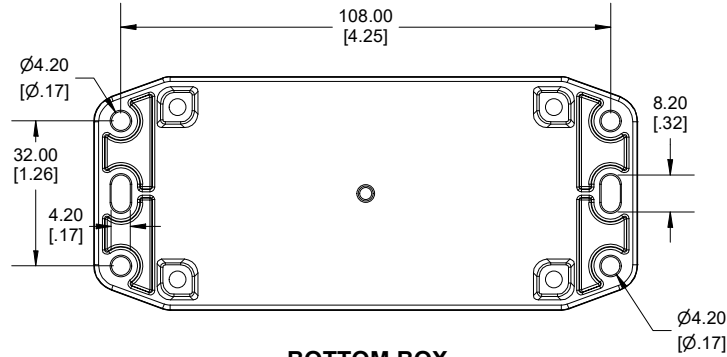
TOP VIEW



END VIEW SECTION A-A



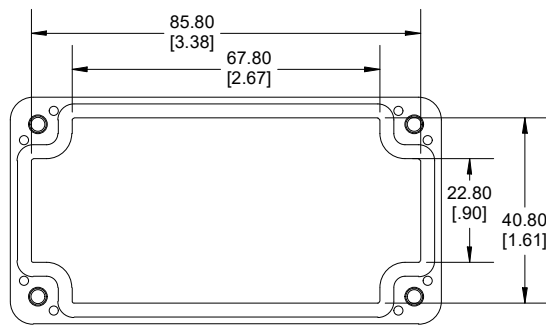
SIDE VIEW SECTION B-B



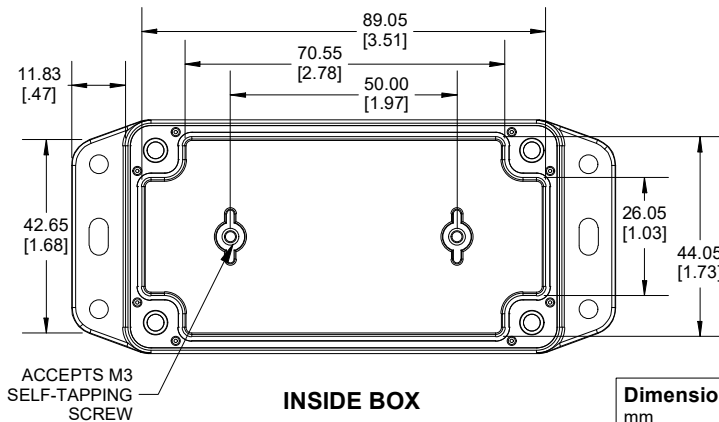
BOTTOM BOX

Enclosures can be Factory Modified (Milling, Drilling, Printing etc.)  
 Contact Factory ([modshop@hammfg.com](mailto:modshop@hammfg.com)) for quotes  
 Solid models of this enclosure available in .stp or .x\_t  
 (Part number and text placement/orientation on our products are subject to change, we do not recommend using them as a locating reference for modification purposes)

| NOTE   |             |
|--|-------------|
| Purchased assembly includes box, lid, string gasket, 4 PCB screws, and 4 lid screws. |             |
| Recommended Torque : (43-50) Ozf.in / (30-35) cN.m                                   |             |
| RP Enclosure   |             |
| General Purpose ABS Light Grey (UL94 HB)   | RP1035BF    |
| General Purpose ABS Light Grey with Polycarbonate Clear Lid (UL94 HB)                | RP1035BFC   |
| Polycarbonate Off-White (UL94-V2)  | RP1030BF    |
| Polycarbonate Off-White with Clear Lid (UL94-V2)                                     | RP1030BFC   |
| ACCESSORIES  |             |
| Lid Screw (M3.5-0.6 X 10mm) (50 Pkg)   | SC619-50    |
| PCB Screw (M3 X 6mm Self-tapping) (50 Pkg)   | SC622-50    |
| General Purpose ABS Black Inner Panel 3mm Thick                                      | STC104      |
| Metal Inner Panel 1mm Thick  | STA104      |
| String Gasket EPDM Grey (2 Pkg)  | RP103GASKET |



INSIDE LID



INSIDE BOX

Dimensions:  
 mm  
 [inches]

**HAMMOND**  
 RP103 BF  
[www.hammondmfg.com](http://www.hammondmfg.com)