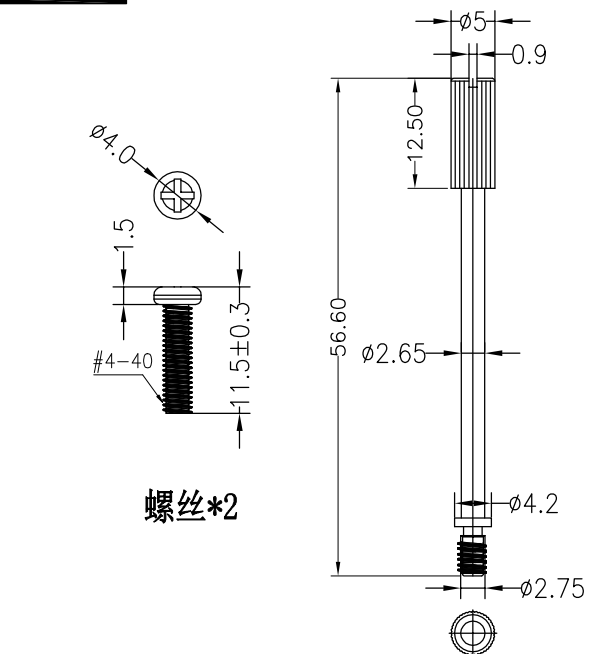
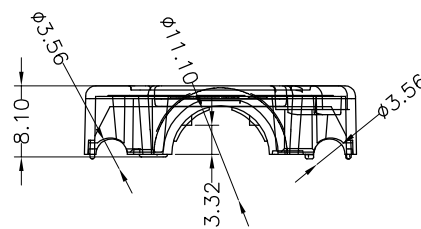
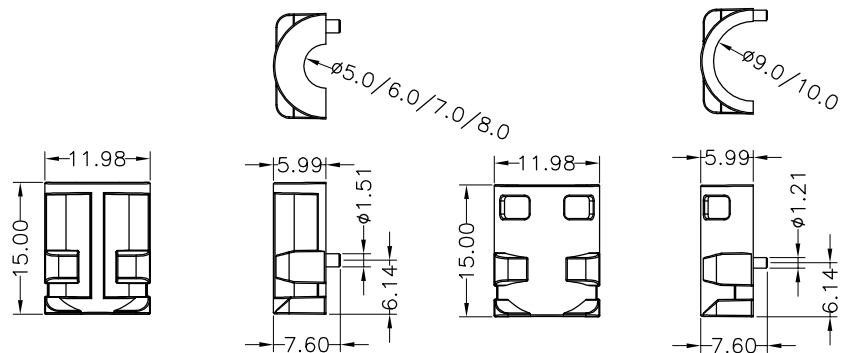


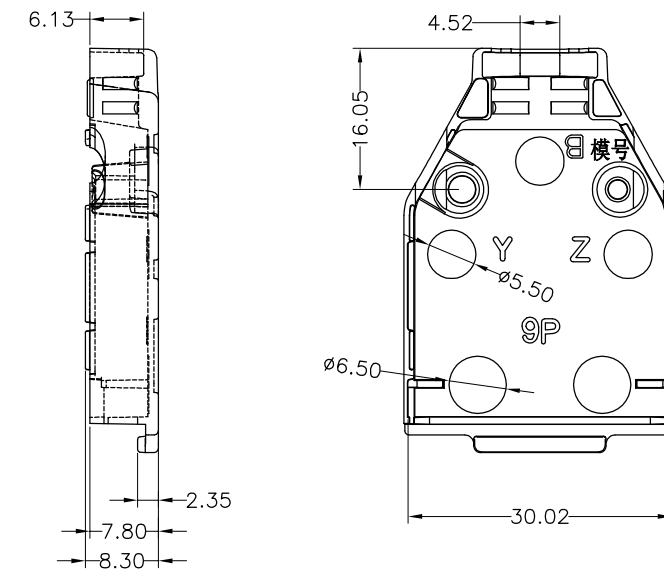
HSF RoHS



线夹 (PBT黑色) *2pcs
线径: $\phi 5.0/6.0/7.0/8.0/9.0/10.0$ #4-40 长螺丝*2



材质: 锌合金
电镀: 镀镍过盐雾48H



				OPERATION		DRAW	YiYuSheng	19.08.26	SCALE	FIT	JILN ® 深圳市锦凌电子有限公司 SHENZHEN JINLING ELECTRONIC CO.,LTD Tel: 86-755-2997-5806/5802 Fax: 86-755-2997-5992	
				X.X	±0.30				UNIT	mm		
				X.XX	±0.20	CHECK		SIZE	A4	PART NO. S6235-09N101-H		
				X.XXX	±0.10		SHEET	1/1				
A0	2019.08.26	NEW DRAWING		Angle	±3°	APPROVE		PROJ.		TITLE:	DB9P-H型锌合金外壳+螺丝配件+黑色线圈	
REV	DATE	MODIFICATION DESCRIPTION	CHANGE	DIM	TOL							
1	2	3	4	5	6	7	8	9				