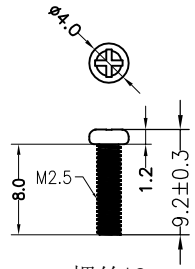
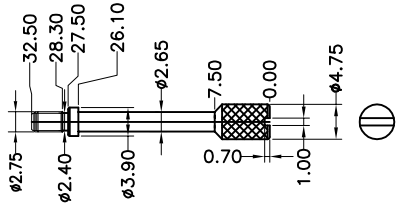


HSF RoHS

外壳材质：锌合金
 电镀：镀镍过盐雾48H

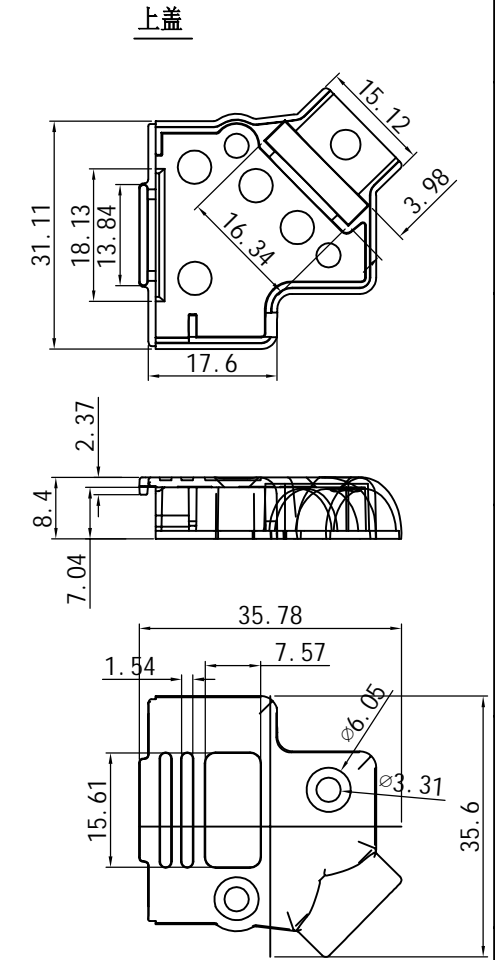
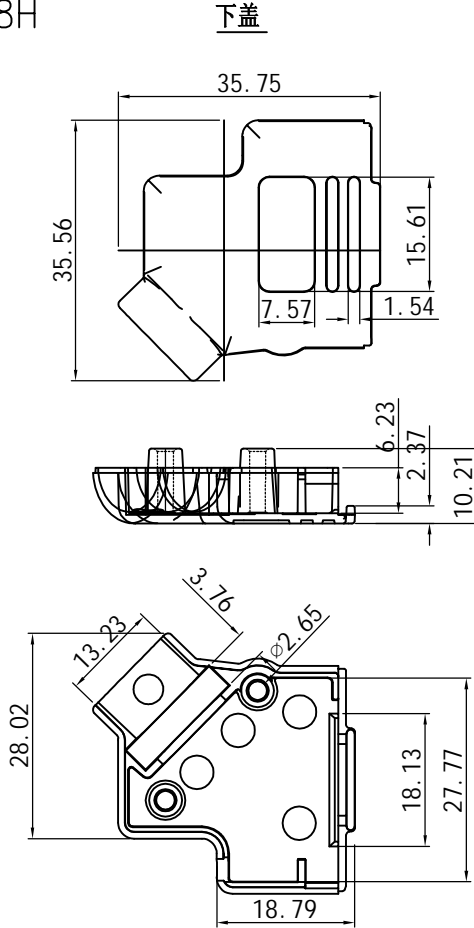
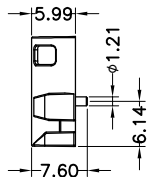
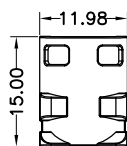
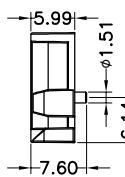
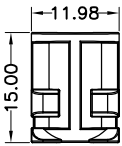
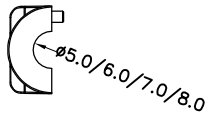


螺丝*2



长螺丝*1

线径：φ5.0/6.0/7.0/8.0
 9.0/10.0
 线夹（PBT黑色）*2pcs



| | | | | | | |
|-----------|-------|---------|-----------|----------|-------|-----|
| OPERATION | | DRAW | YiYuSheng | 19.10.23 | SCALE | FIT |
| X.X | ±0.30 | | | | | |
| X.XX | ±0.20 | CHECK | | | UNIT | mm |
| X.XXX | ±0.10 | | | | | |
| Angle | ±3° | APPROVE | | | SIZE | A4 |
| DIM | TOL | | | | | |
| | | | | | SHEET | 1/1 |
| | | | | | | |

JILN® 深圳市锦凌电子有限公司
 SHENZHEN JINLING ELECTRONIC CO.,LTD
 Tel: 86-755-2997-5806/5802 Fax: 86-755-2997-5992

| | | | |
|-----|------------|--------------------------|--------|
| A0 | 2019.10.23 | NEW DRAWING | |
| REV | DATE | MODIFICATION DESCRIPTION | CHANGE |

| | |
|----------|-----------------------|
| PART NO. | S6235-09NI03 |
| TITLE: | DB9P 45度锌合金壳/镀镍+螺丝内线夹 |