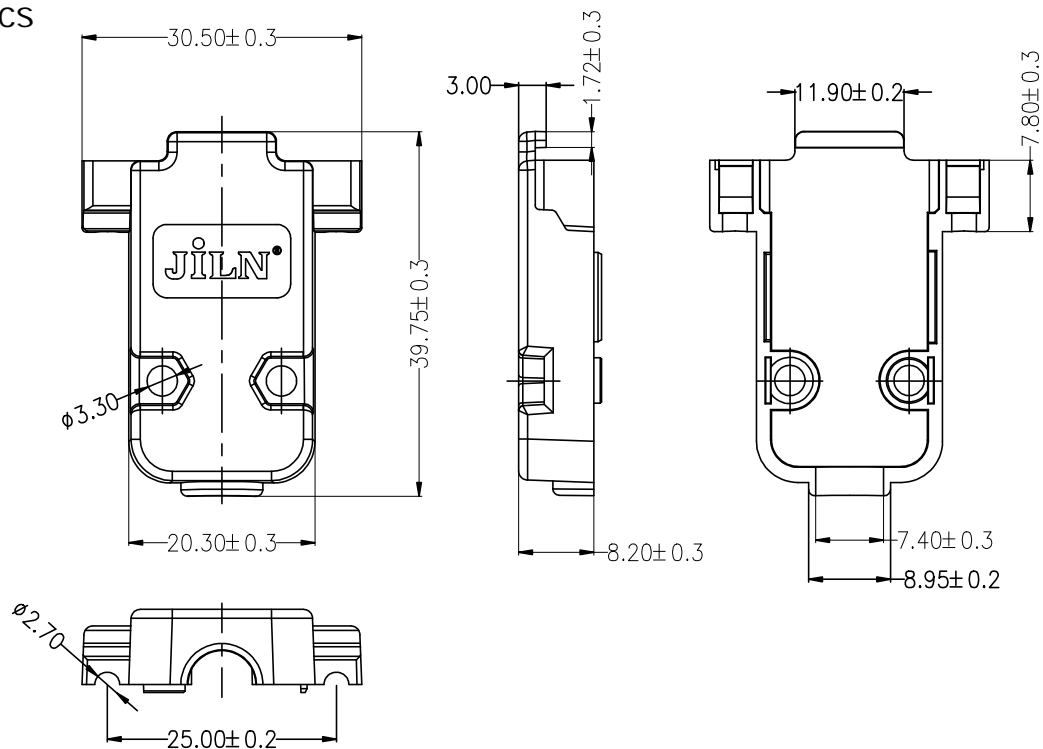


外壳2pcs



材质:

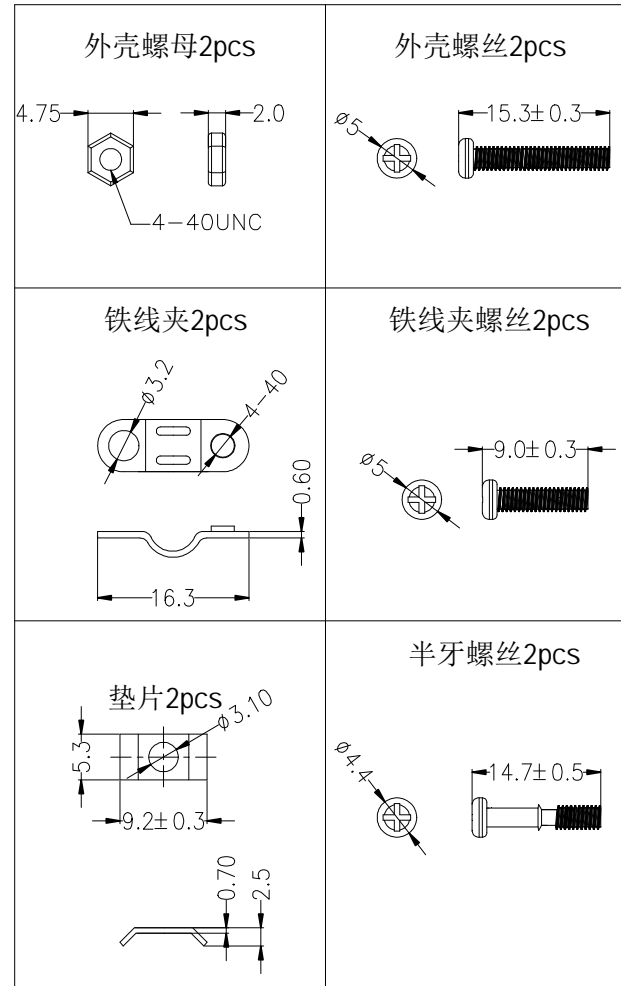
塑胶: ABS(灰色)

螺丝: SPCC, 镀锌

螺母: SPCC, 镀锌

垫片: SPCC, 镀锌

线夹: SPCC, 镀锌



				OPERATION				SCALE	FIT	JILN ® 深圳市锦凌电子有限公司 SHENZHEN JINLING ELECTRONICS CO.,LTD Tel: 86-755-27483253 Fax: 86-755-2997-5588		
				X.	±0.25	DRAW		UNIT	mm			
				X.X	±0.20	CHECK		SIZE	A4	PART NO. E5507-09G-1 TITLE: DB-9P/外壳加螺丝/灰色(铁线夹)		
				X.XX	±0.10	APPROVE		SHEET	1/1			
REV	DATE	MODIFICATION DESCRIPTION		CHANGE	DIM	TOL	PROJ.					
1		2	3	4	5	6	7	8	9			