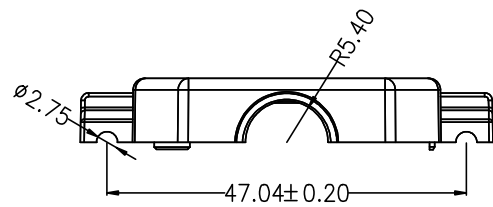
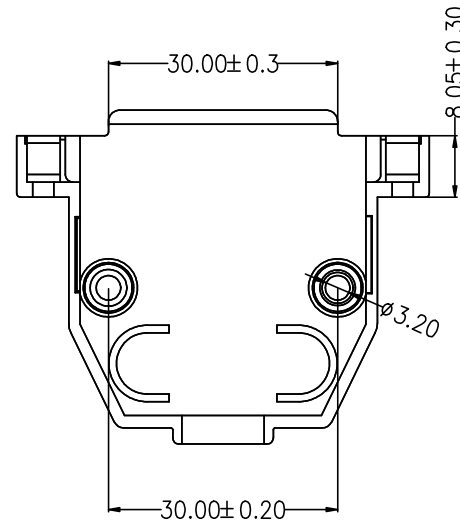
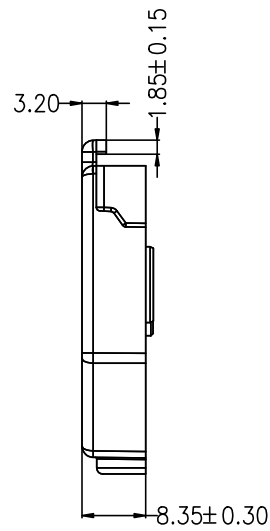
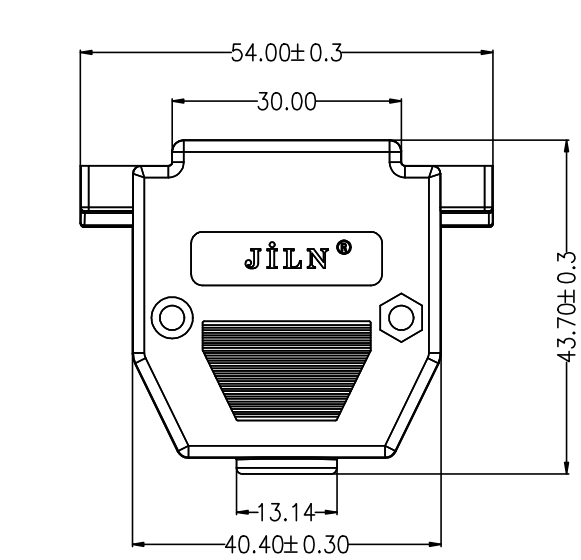
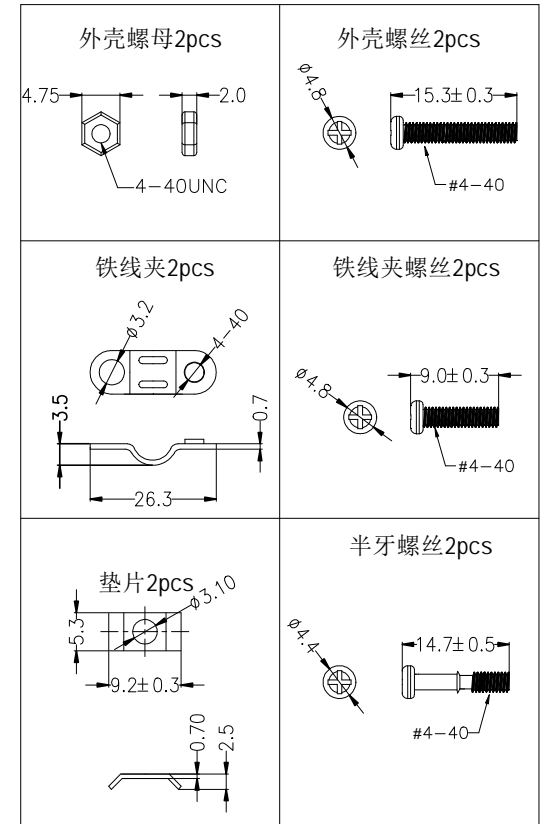


外壳2pcs



材质:
 塑胶: ABS(灰色)
 螺丝: SPCC, 镀锌
 螺母: SPCC, 镀锌
 垫片: SPCC, 镀锌
 线夹: SPCC, 镀锌



				OPERATION		DRAW	Jelly Feng	22.11.23	SCALE	FIT	JILN ® 深圳市锦凌电子有限公司 SHENZHEN JINLING ELECTRONICS CO.,LTD Tel: 86-755-27483253 Fax: 86-755-2997-5588	
				X.	±0.25				UNIT	mm		
				X.X	±0.20	CHECK		SIZE	A4	PART NO. E5507-25G-1		
				X.XX	±0.10		SHEET	1/1				
AO	2022.11.23	NEW DRAWING		Angle	±3°	APPROVE		PROJ.	◆	TITLE:	DB-25P/外壳加螺丝/灰色(铁线夹)	
REV	DATE	MODIFICATION DESCRIPTION		DIM	TOL							
1		2	3	4	5	6	7	8	9			