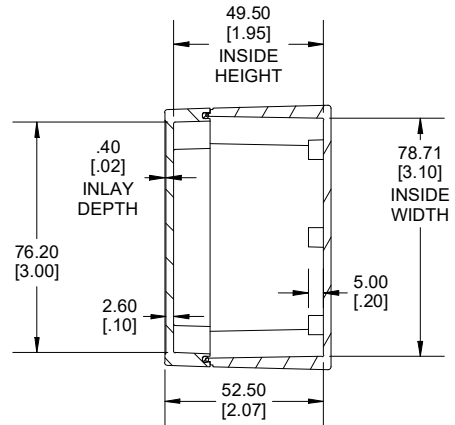
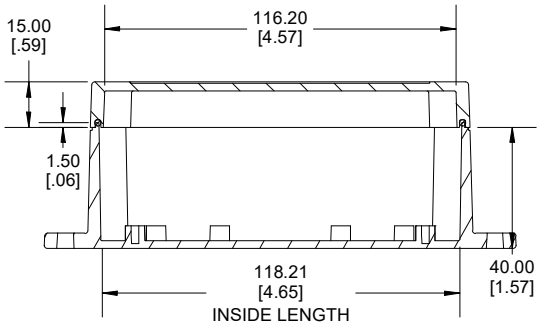


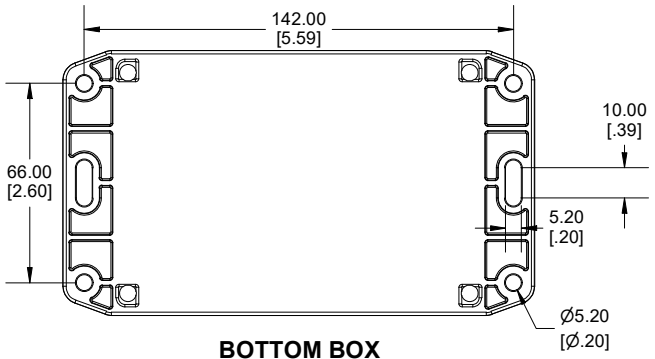
**TOP VIEW**



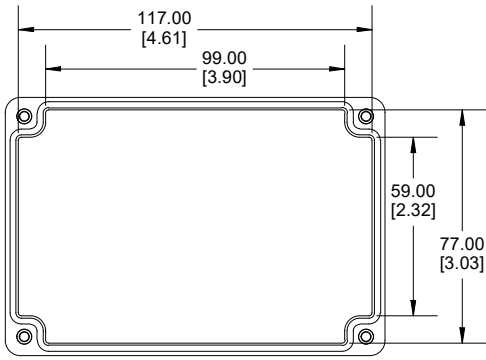
**END VIEW SECTION A-A**



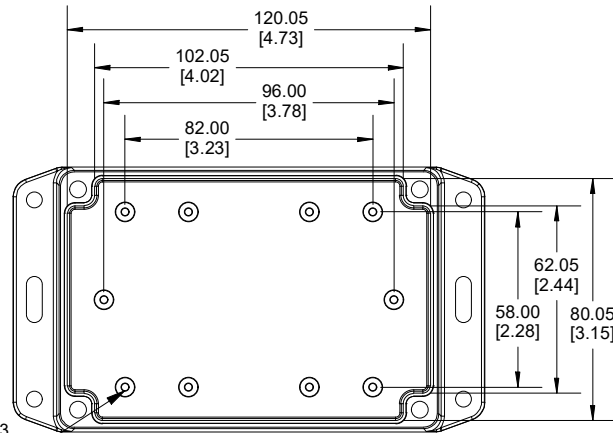
**SIDE VIEW SECTION B-B**



**BOTTOM BOX**



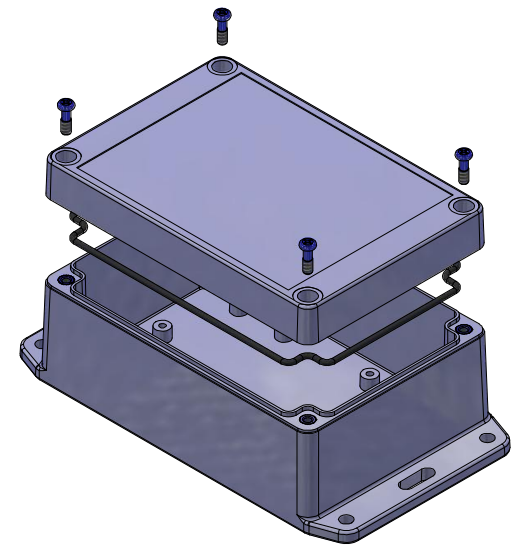
**INSIDE LID**



**INSIDE BOX**

ACCEPTS M3 SELF-TAPPING SCREW

Dimensions:  
mm  
[inches]



Enclosures can be Factory Modified (Milling, Drilling, Printing etc.)  
Contact Factory (modshop@hammfg.com) for quotes  
Solid models of this enclosure available in .stp or .x\_t  
(Part number and text placement/orientation on our products are subject to change,  
we do not recommend using them as a locating reference for modification purposes)

NOTE	
Purchased assembly includes box, lid, string gasket, 4 PCB screws, and 4 lid screws.	
Recommended Torque : (43-50) Ozf.in / (30-35) cN.m	
RP Enclosure	
General Purpose ABS Light Grey (UL94 HB)	RP1135BF
General Purpose ABS Light Grey with Polycarbonate Clear Lid (UL94 HB)	RP1135BFC
Polycarbonate Off-White (UL94-V2)	RP1130BF
Polycarbonate Off-White with Clear Lid (UL94-V2)	RP1130BFC
ACCESSORIES	
Lid Screw (M3.5-0.6 X 10mm) (50 Pkg)	SC619-50
PCB Screw (M3 X 6mm Self-tapping) (50 Pkg)	SC622-50
General Purpose ABS Black Inner Panel 3mm Thick	STC113
Metal Inner Panel 1mm Thick	STA113
String Gasket EPDM Grey (2 Pkg)	RP113GASKET

**HAMMOND**  
RP113 BF  
www.hammondmfg.com